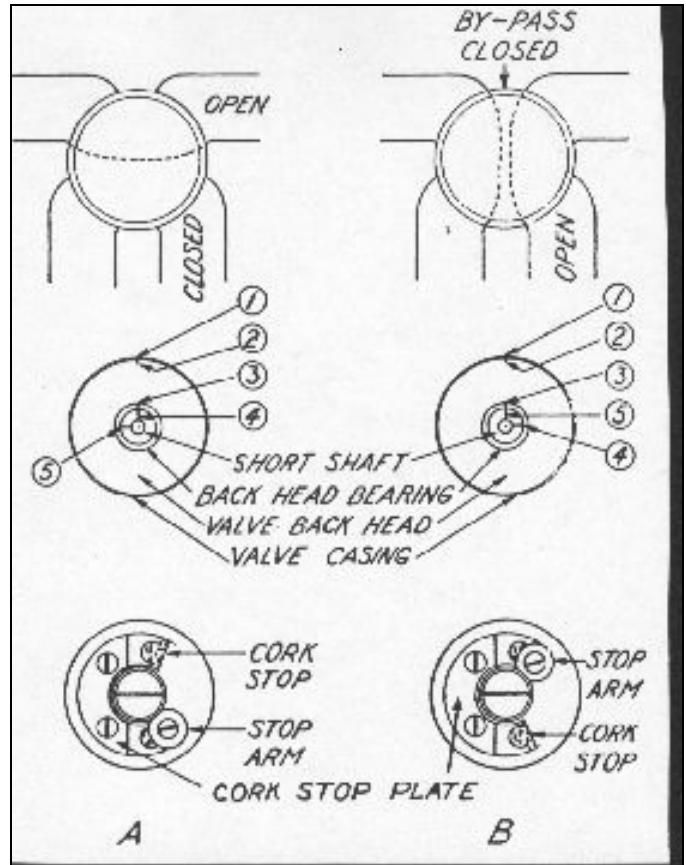
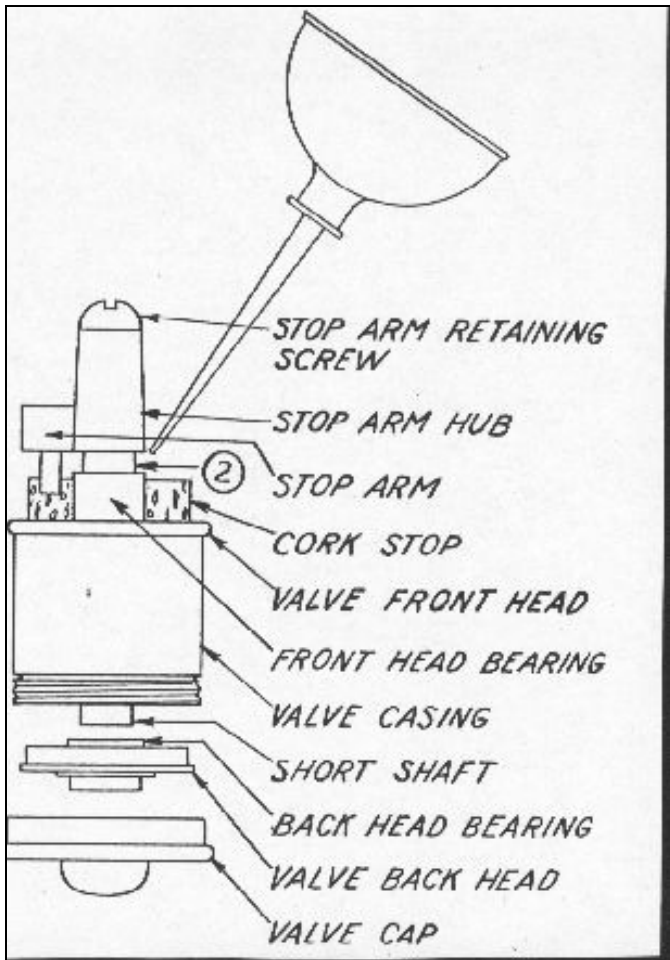


Parts of the Rotary Valve



from *The Art of French Horn Playing* by Philip Farkas, p. 9